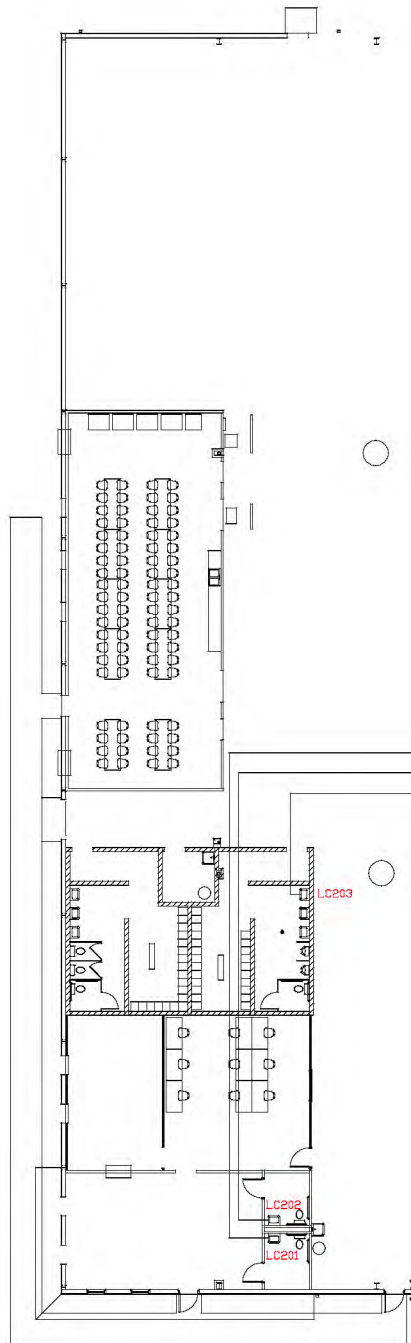
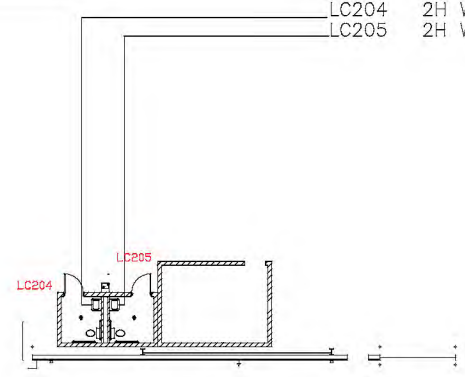


2H

2H BUILDING 2004
PLUMBING MATERIALS USED AT MIDWEST EXPRESS, INCORPORATED
FIT THE TIME PERIOD BETWEEN 1986-2014, WHEN LEAD SOLDER
WAS BANNED AND THERE WAS LOWER CONTENT OF LEAD IN BRASS



SMP ID	TAP LOCATION
LC201	2H LOBBY MEN'S RR SINK
LC202	2H LOBBY LADIES'S RR SINK
LC203	2H LOCKER RM MEN'S RR SINK 1
LC204	2H WAREHOUSE LADIES'S RR
LC205	2H WAREHOUSE MEN'S RR



PWS NAME
2H WELL
PWS ID
OH 465612

Midwest Express, Inc.
Engineering Division
Floor: Lobby Plant
11/20/11 12:15 PM
East Liberty, OH 43019
A member of the United Logistics North America

BUILDING 2H
Cu/Pb
PWS TAP LOCATION
SKETCH12-15 C